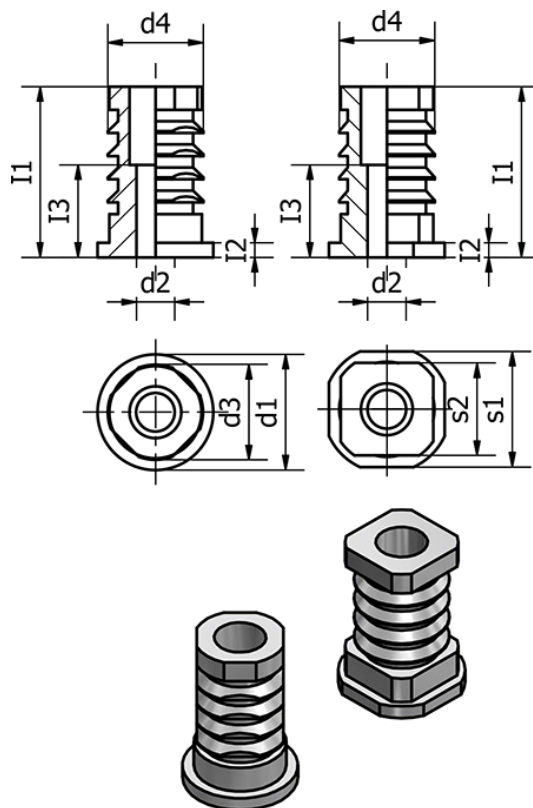


Article number: 20992D50M12

Description: E+G Threaded end-caps - GN 992-D50-M12

Measures



d1 = D50

d2 = 12

d3 = 44

d4 = 44.5

I1 = 45.5

I2 = 2.5

I3 = 30

s1 =

s2 =

Weight (g) = 145